



Product Name: Keypad Fan Speed and Lighting Control with Timer

Product Model: ABR-V004



Make your life easy, make your home cozy

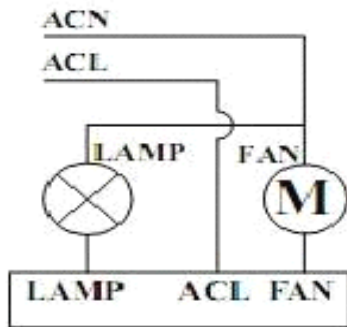
▶ Features:

- Two loads: one for fan speed control, and another one for lighting control and good for all types of lights
- Pressing the LAMP key will turn on or turn off the light, and pressing the ON/OFF key will turn on or turn off the fan
- There are 5 delay settings for the user to choose from: 5 minutes, ..., 30 minutes
- Operates on a 2 wire system, and fits in a standard wall box
- Wallplate uses flame resistance ABS-V0 material for safety.
- Classical 86 series design, and easy installation.

▶ Specifications:

| | | | |
|---------------------------|---------------------|-----------------------|-----------------------|
| Voltage | 220~240V(50Hz/60Hz) | Operating temperature | 0°C~30°C |
| Light Load | 150W(Maximum) | Relative humidity | Non-condensing 20-90% |
| Motor Load | 100W(Maximum) | Matching wall box | 75*75*50mm |
| Installation hole spacing | 60mm | | |
| Switch Dimension | 86*86*43mm | Switch weight | 116g |

▶ **Wiring Diagram:**



How to Order:

Please contact: Shenzhen Asia Bright Industry Co., Ltd
Building 10, Asia Industrial Park, Gangtou, Bantian, Shenzhen, China
Tel: +86-755-89748200/89748211 Fax: +86-755-89748778/89748226
Email: sales@a-brt.com Website: www.a-brt.com